

**COMPACT TRAPPING STATION
CTS4U**

(For use with universal swivel connector steam traps)

DESCRIPTION

The UniADCA CTS4U is a complete and compact steam trapping station designed to be used as an alternative to traditional multi-component trap stations, simplifying maintenance and reducing downtime and associated costs.

The swivel connector allows steam trap replacement in only a few minutes without disturbing the pipeline.

Compatible with "two-bolt" UniADCA universal steam traps and other universal steam traps with swivel connector.

Typical installations include drip service on steam lines, tracing, SKID's and small process equipment.

MAIN FEATURES

Built-in strainer and check valve.

Reduced downtime and costs due to easy in-line maintenance.

Safe depressurization through bleed valve or BDV.

Available with double upstream shut-off valves.

Universal steam traps can swivel 360°, allowing the steam trap to be fitted in the correct position, regardless of pipeline configuration.

OPTIONS: BDV – Blowdown valve.

USE: Saturated and superheated steam.

AVAILABLE MODELS:

CTS4U – stainless steel, with inlet and outlet shut-off valves.

CTS4UD – stainless steel, with double inlet shut-off valves.

CTS4UDB – stainless steel, with double inlet shut-off valves and bleed valve.

SIZES: 1/2" to 1"; DN 15 to DN 25.

CONNECTIONS: Female threaded ISO 7 Rp or NPT.
Flanged EN 1092-1 PN 40.
Flanged ASME B16.5 Class 150 or Class 300.

INSTALLATION: See IMI – Installation and maintenance instructions.



CTS4U



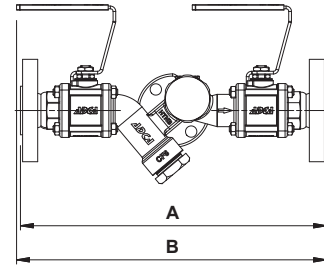
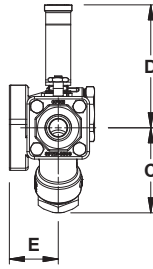
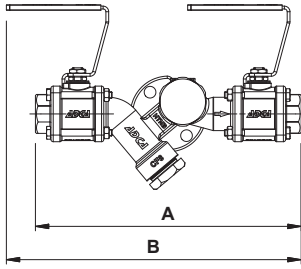
CTS4UD



CTS4UDB

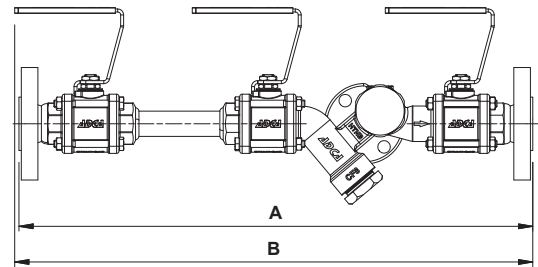
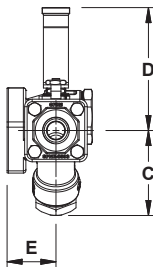
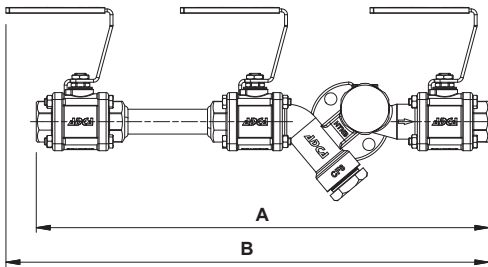
LIMITING CONDITIONS

Body design conditions	PN 40
Maximum pressure for saturated steam	17,5 bar
Maximum operating temperature	230 °C @ 10 bar
Minimum operating temperature	-10 °C



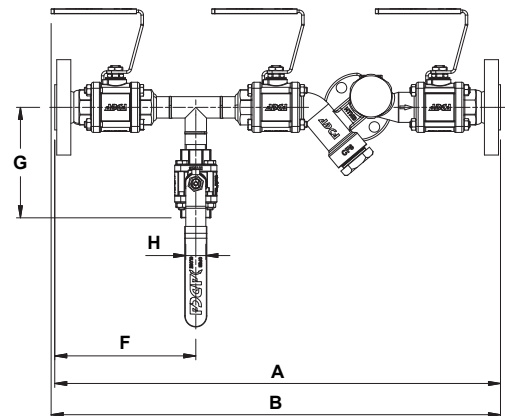
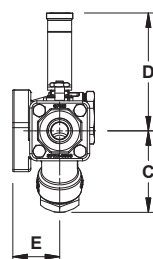
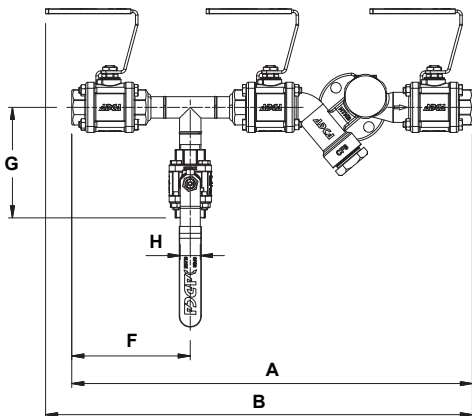
DIMENSIONS (mm) – CTS4U

THREADED							PN 40			CLASS 150			CLASS 300	
SIZE	A	B	C	D	E	WGT. (kg)	A	B	WGT. (kg)	A	B	WGT. (kg)	A	WGT. (kg)
1/2" – DN 15	239	265	68	98	39	3	284	288	4,5	290	291	4	300	4,6
3/4" – DN 20	239	265	68	98	39	3	304	–	5,1	305	–	4,4	325	5,6
1" – DN 25	287	289	68	98	39	3,3	304	–	5,5	335	–	5	348	6,2



DIMENSIONS (mm) – CTS4UD

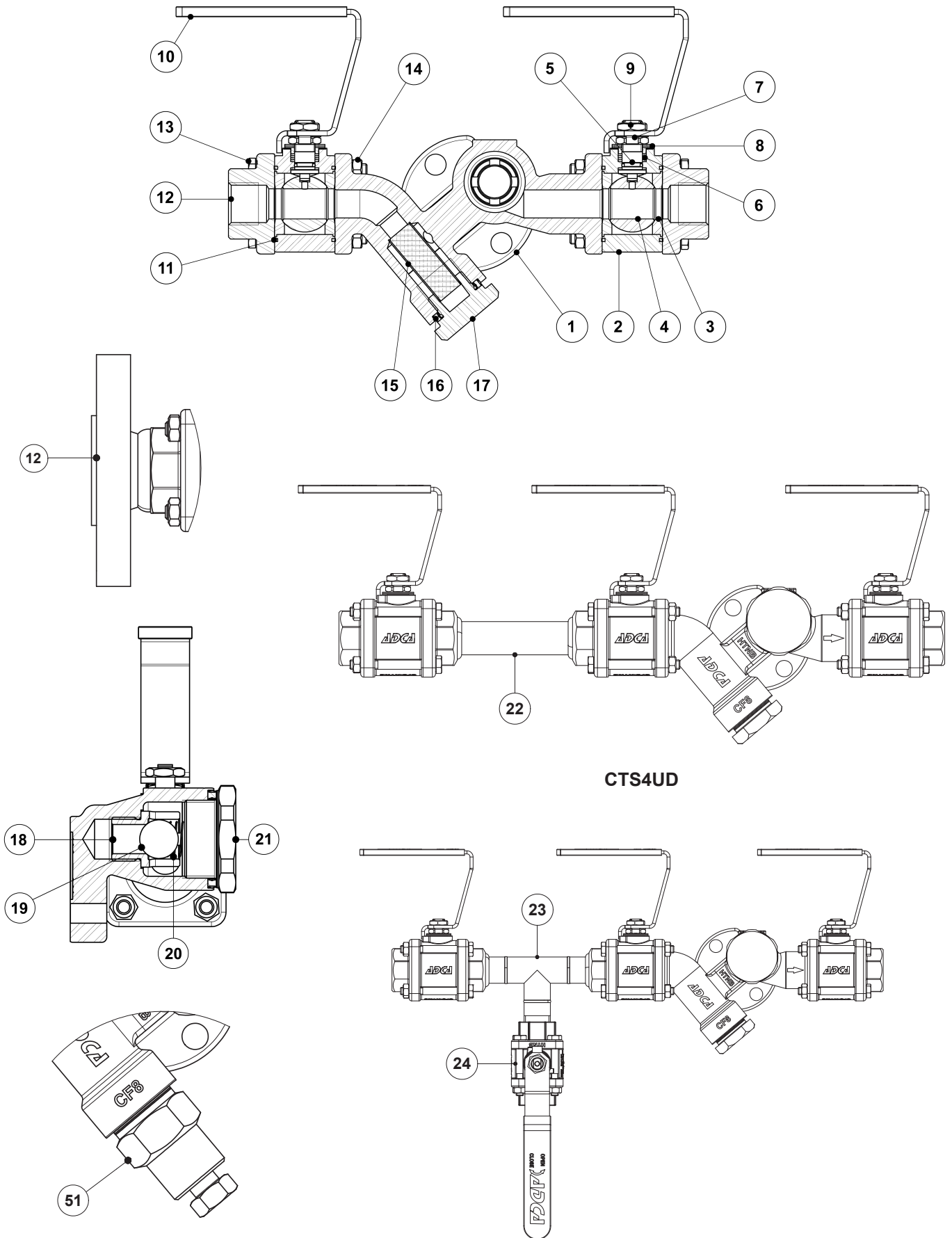
THREADED							PN 40			CLASS 150			CLASS 300	
SIZE	A	B	C	D	E	WGT. (kg)	A	B	WGT. (kg)	A	B	WGT. (kg)	A	WGT. (kg)
1/2" – DN 15	384	415	68	98	39	4	434	438	5,6	440	440	5	450	5,6
3/4" – DN 20	389	415	68	98	39	4	454	–	6,2	455	–	5,5	475	6,6
1" – DN 25	437	439	68	98	39	4,4	454	–	6,6	485	–	6	498	7,3



DIMENSIONS (mm) – CTS4UDB

THREADED										PN 40				CLASS 150				CLASS 300		
SIZE	A	B	C	D	E	F	G	H	WGT. (kg)	A	B	F	WGT. (kg)	A	B	F	WGT. (kg)	A	F	WGT. (kg)
1/2" – DN 15	399	425	68	98	39	118	110	1/2"	4,8	444	448	140	6,3	450	451	143	5,7	460	148	6,3
3/4" – DN 20	399	425	68	98	39	118	110	1/2"	4,7	464	–	150	6,9	465	–	151	6,1	485	161	7,3
1" – DN 25	447	449	68	98	39	142	110	1/2"	5	464	–	150	7,2	495	–	166	6,7	508	172	7,9

MATERIALS



*BDV – Blowdown valve
 (optional)*

MATERIALS		
POS. N°	DESIGNATION	MATERIAL
1	Main valve body	A351 CF8 / 1.4308
2	Ball valve body	A351 CF8 / 1.4308
3	* Seat	PTFE/GR
4	* Valve ball	AISI 316L / 1.4404
5	* Stem	AISI 316L / 1.4404
6	* Stem seals	PTFE/GR
7	* Lock washers	AISI 304 / 1.4301
8	* Spring washers	AISI 304 / 1.4301
9	Stem nut	Stainless steel A2-70
10	Handle	AISI 304 / 1.4301; Vinyl
11	Body seal	PTFE
12	Cap (threaded)	A351 CF8 / 1.4308
	Cap (flanged)	A351 CF8 / 1.4308; AISI 304 / 1.4301
13	Bolts	AISI 304 / 1.4301
14	Nuts	Stainless steel A2-70
15	* Strainer screen	AISI 304 / 1.4301
16	* Gasket	Stainless steel / Graphite
17	Strainer plug	AISI 304 / 1.4301
18	* Check valve seat	AISI 304 / 1.4301
19	* Check valve ball	AISI 304 / 1.4301
20	* Spring	AISI 302 / 1.4300
21	Check valve cover	AISI 304 / 1.4301
22	Spool piece	AISI 316L / 1.4404
23	Spool piece with drain	AISI 316L / 1.4404
24	Bleed valve M3i5	A351 CF8 / 1.4308
51	Blowdown valve	AISI 303 / 1.4305; AISI 316L / 1.4404

* Available spare parts.